

# LOADED PATCH PANEL



HELIKON



# CTA RJ45 FRONT MOUNTED

PART NUMBER	1U Pannel	Connector Type	Holes
PTH-1R-16-RJ		16 x CTA RJ45	#4-40 Holes front mounted
			M3 Holes front mounted



## HDMI A-A FRONT MOUNTED

PART NUMBER	1U Pannel	Connector Type	Holes
PTH-1R-16-HDMI		16 x HDMI A-A	M3 Holes front mounted



## USB2 M3 FRONT MOUNTED

PART NUMBER	1U Pannel	Connector Type	Holes
PTH-1R-16-USB2		16 x USB2 A-B	M3 Holes front mounted

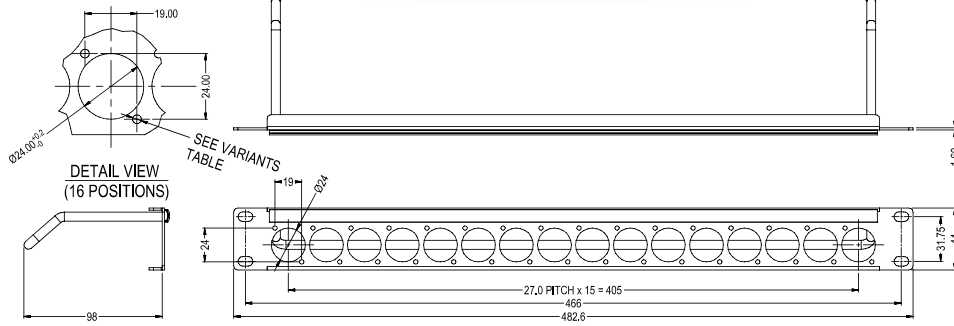
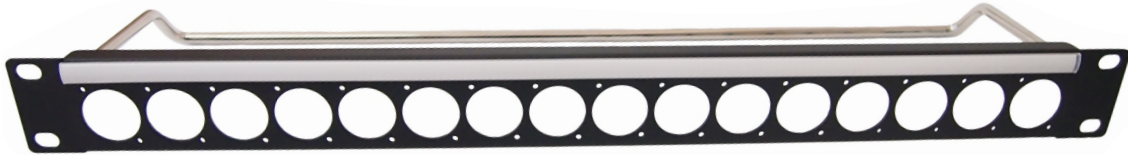




# LOADED PATCH PANEL

16 holes of Ø24mm with cable bar and label strip

<b>PART NUMBER</b>	<b>1U Pannel</b>	<b>16 Holes Ø24mm</b>	<b>Plain Holes</b>
<b>PTH-1R-16-BN</b>			<b>M3 Holes</b>
			<b>4-40 Holes</b>



## Insulated BNC Connectors



<b>PART NUMBER</b>	<b>1U Pannel</b>	<b>16 Holes 750hm</b>	<b>Insulated BNC Connectors</b>
<b>PTH-1R-40-BN</b>			<b>M3 Holes back mounted</b>
			<b>4-40 Holes front mounted</b>

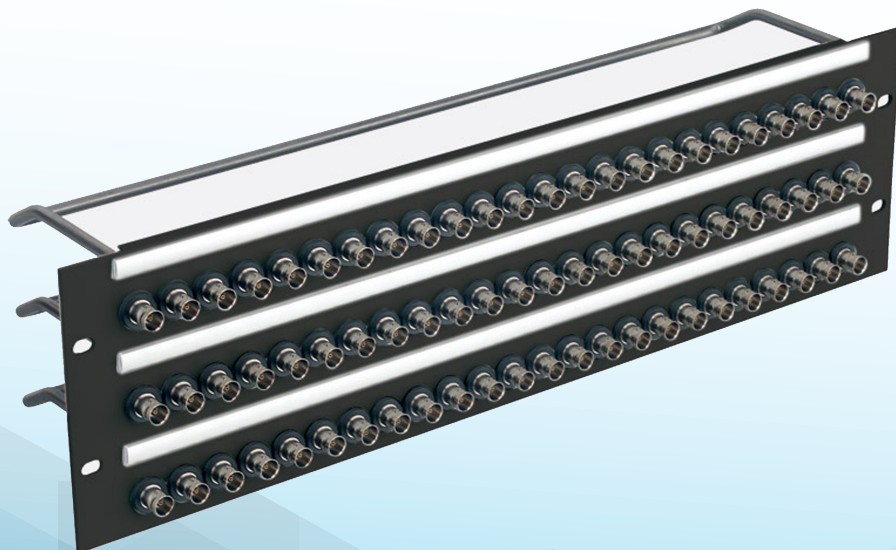
# XLR-A/V PATCH PANEL

Applications include broadcast and AV patch panels, MIL, medical, control and instrumentation signal input/output panels etc. The 1U assemblies can be factory loaded with the specific connectors required by the system designer including BNC



## XLR PORT NO-16,32,48 AUDIO, VIDEO PATCH PANEL

PART NUMBER	1RU	Connector Type	Holes
PTH-3R-48-XLR	2RU	XLR	M3 Holes front mounted
	3RU	16, 32, 48	





# USB2 B-A FRONT MOUNTED

PART NUMBER	1U Pannel	Connector Type	Holes
PTH-1R-16-USB-B-A		16 x USB2 B-A	M3 Holes front mounted



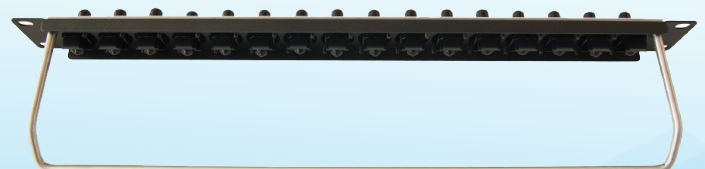
## USB2 M3 FRONT MOUNTED

PART NUMBER	1U Pannel	Connector Type	Holes
PTH-1R-16-CTA6		16 x CAT6A	M3 Holes front mounted



## ST FIBER M3 FRONT MOUNTED

PART NUMBER	1U Pannel	Connector Type	Holes
PTH-1R-16-STF		16 x ST Fiber	M3 Holes front mounted



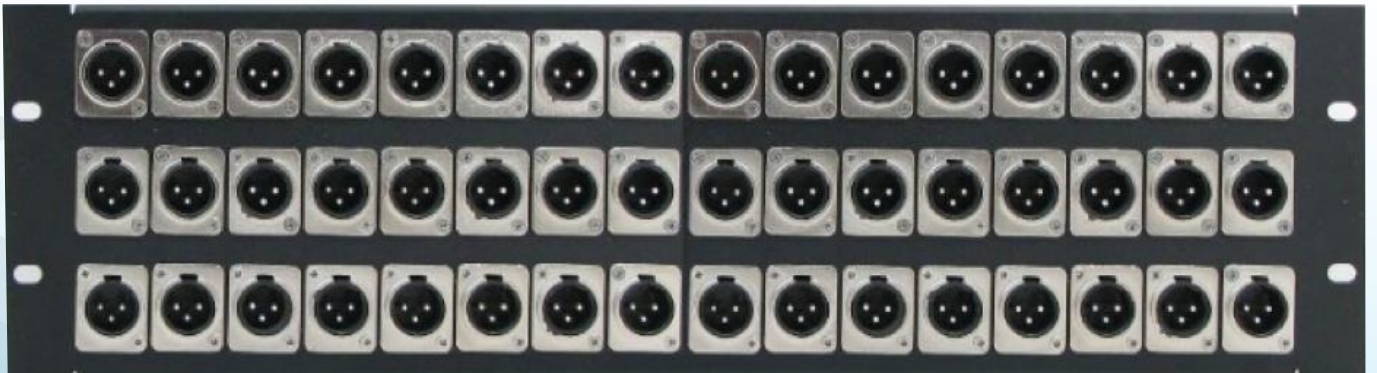
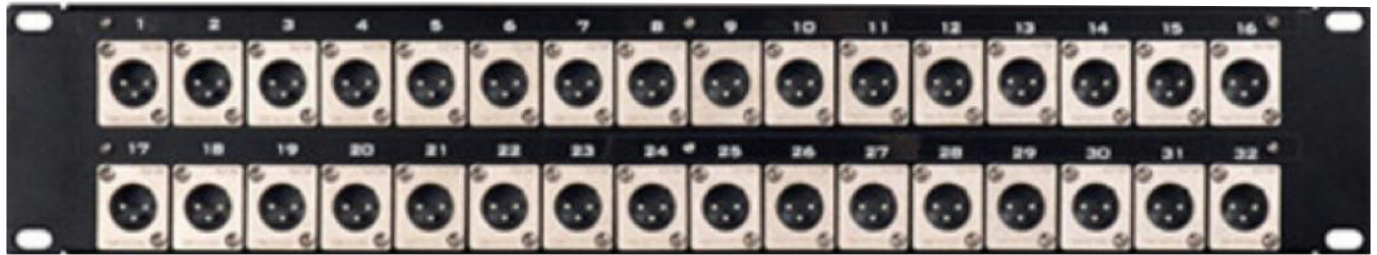
# XLR-A/V PATCH PANEL

A correct size feedthrough connector will sit flush with this rack, which contains 16 perfectly designed and placed holes. Along with a paper strip at the top for easy identification of the connectors, this is a perfect option available for both industrial and electronic needs. All models are highly reliable and excellent quality.



## XLR PORT NO-16,32,48 AUDIO, VIDEO PATCH PANEL

PART NUMBER	1RU	Connector Type	Holes
PTH-3R-XLR	2RU	XLR	M3 Holes front mounted
	3RU	16, 32, 48	





# LC DUPLEX SM FRONT MOUNTED

PART NUMBER	1U Pannel	Connector Type	Holes
PTH-1R-16-DUP-SM		16 x LC Duplex SM	M3 Holes front mounted



## LC DUPLEX MM FRONT MOUNTED

PART NUMBER	1U Pannel	Connector Type	Holes
PTH-1R-16-DUP-MM		16 x LC Duplex MM	M3 Holes front mounted



**HELIKON**

### Head Office

HELIKON CONNECTIVITY SOLUTION  
22, Ground Floor, 20 Wenlock Road  
London, N1 7GU, United Kingdom